

PEFS Series

Rapid Shutdown Control Box (DC24V)



High Craftsmanship and Standards



Comply with NEC2017 /
NEC2020(690.12) and
Sunspec RSD requirements



Flame retardant:
UL94-V0



lockable, avoiding
mis-action



UL 1741 PVRSE compliance
UL 3741 PVRSS compliance



Up to 480 pcs of
modules under
controller



Ingress protection: >
IP65



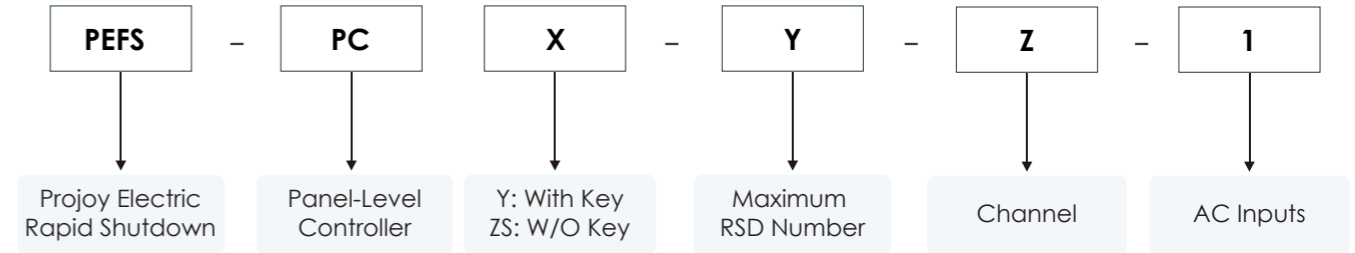
Max 50°C, No power
degradation



Anti-interfer-
ence, stable &
reliable



Select Code



Technical data

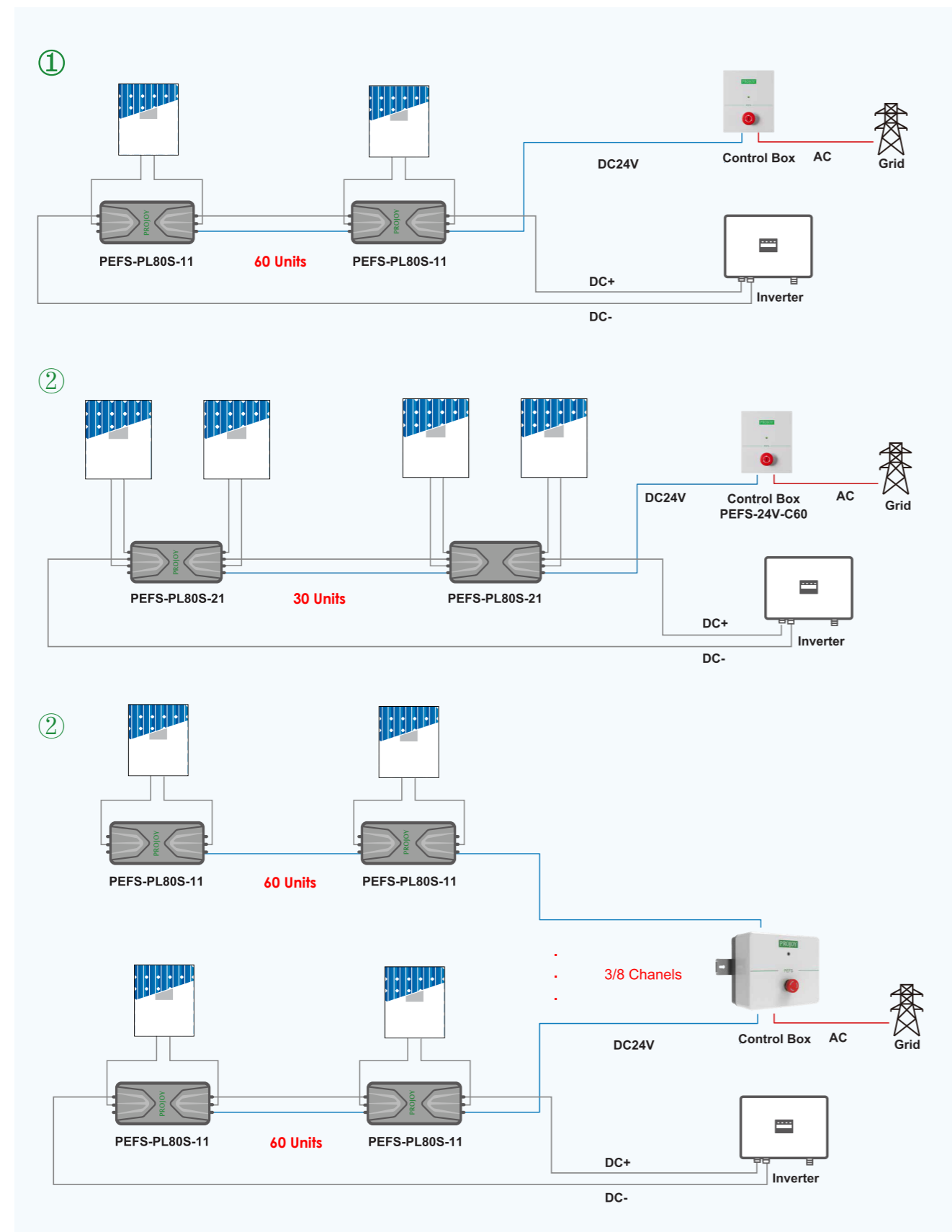
Control Box Include Power Supply

Model	PEFS-PCY/PCZS-S-60-11	PEFS-PCY/PCZS-S-180-31
Operating AC Voltage Range	100 V-240 V	
Normal Frequency	50/60 Hz	
Output Voltage	24V DC	
Output Current	2.2A/50W	3*2.2A (3 Channels)/160W
24Vdc Control Cable Size	0.823 mm ² / 18 AWG	
24Vdc Control Cable Length With Standard Connectors	20 m / 30 m / 100 m	
Spare Terminal Connectors	Yes	
Maximum PEFS-PL80S-11	60 Units	3*60 Units
Maximum PEFS-PL80S-21	30 Units	3*30 Units
Dimensions (mm)	155*188*63	265*218*63
With Lock	Optional (IP54)	
Operating Temperature Range	-30°C ~ +70°C (50°C No degradation)	
Protection Class	IP65	
Mounting	Wall Mounted	
Maximum Distance (Last RSD to Controller Box)	200m	

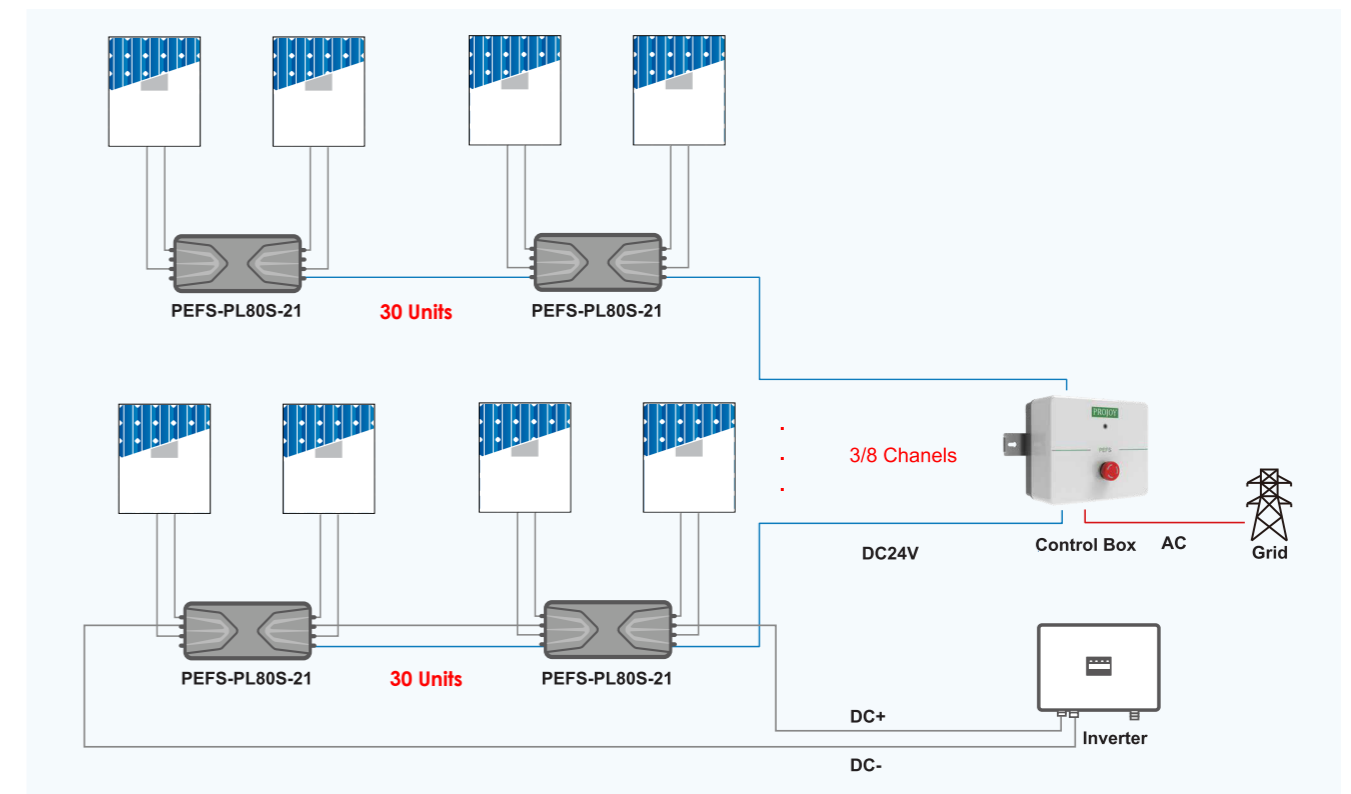
Control Box Without Power Supply

Model	PEFS-PCY/PCZS-S-480-81
Operating AC Voltage Range	100 V-240 V
Normal Frequency	50/60 Hz
Output Voltage	24V DC
Output Current / Per String	8*2.2A (8 Channels)
24Vdc Control Cable Size	0.823 mm ² / 18 AWG
24Vdc Control Cable Length With Standard Connectors	20 m / 30 m / 100 m
Spare Terminal Connectors	Yes
Maximum PEFS-PL80S-11 / Per String	8*60 Units
Maximum PEFS-PL80S-21 / Per String	8*30 Units
Dimensions (mm)	210*175*105
With Lock	Optional
Operating Temperature Range	-30°C ~ +70°C (50°C No degradation)
Protection Class	IP65
Mounting	Wall Mounted
Maximum Distance (Last RSD to Controller Box)	200m
Recommend Power Supply	Output Current ≥20A / 500W
	Maximum PEFS-PL80S-11 480 Units
	Maximum PEFS-PL80S-21 240 Units

Diagram



Diagram



Dimension

