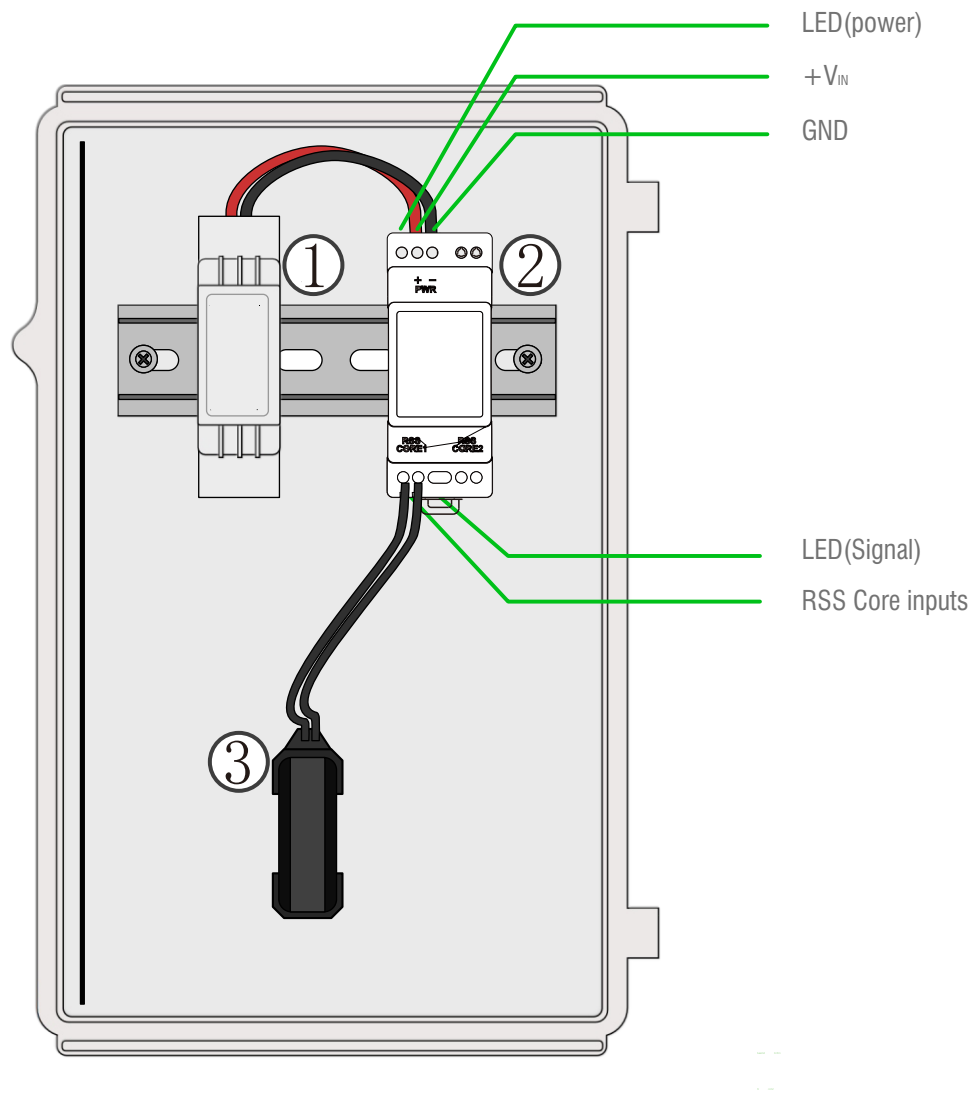


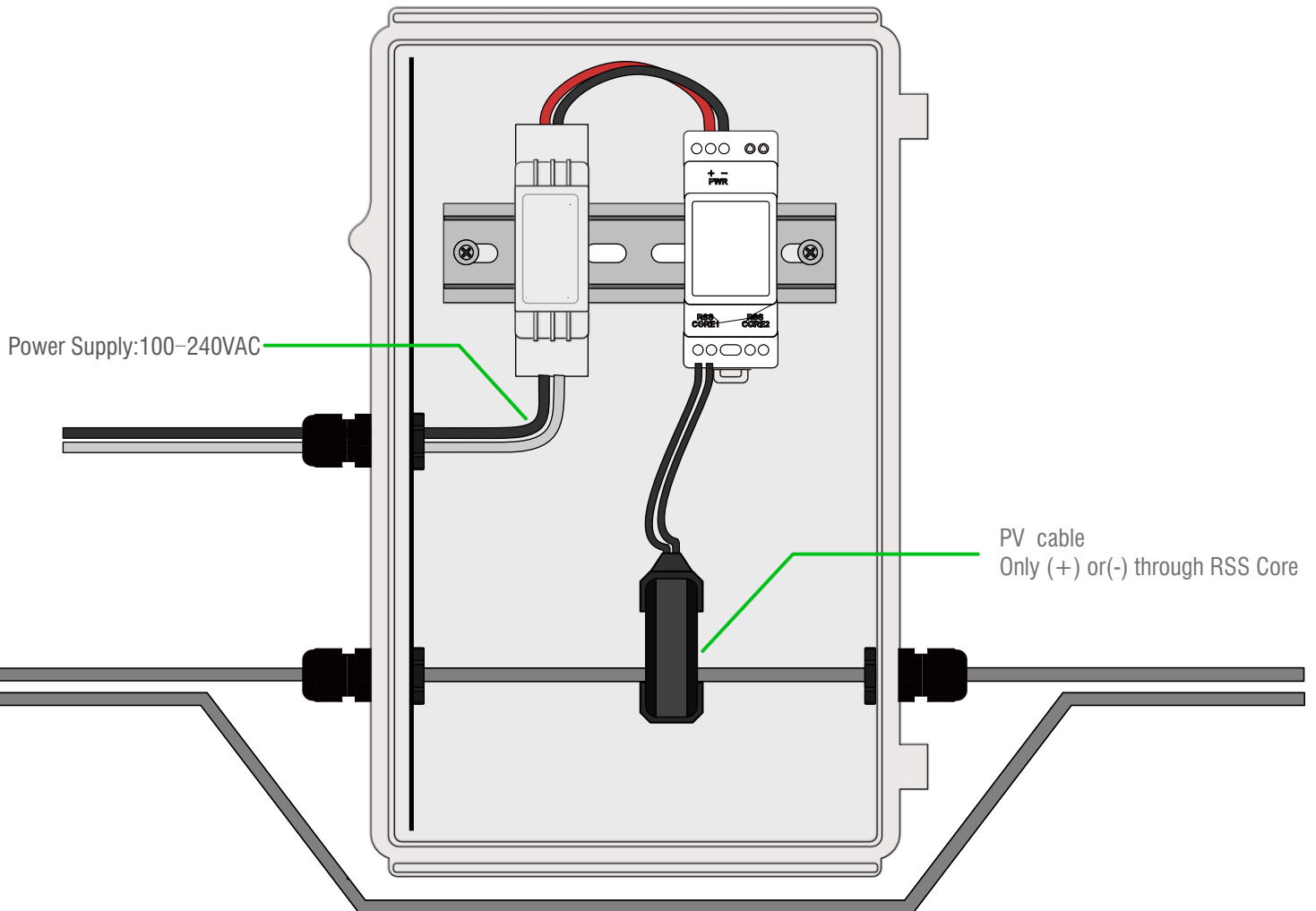
BFT-01 INSTALLATION-SINGLE RSS CORE



Note: Install Transmitter enclosure before powering on BFT-01

- Drill holes in enclosure for conduit (see drilling guide for placement)
- Mount BFT-01 and power supply on DIN rail
- Connect DC leads from power supply ① to transmitter ②
- Connect RSS Core ③ to transmitter

BFT-01 WIRIN-SINGLE RSS CORE



- Note: Install Transmitter enclosure before powering on BFT-01
 - Pass either positive or negative homerun through RSS Core
 - Connect wires to AC side of power supply

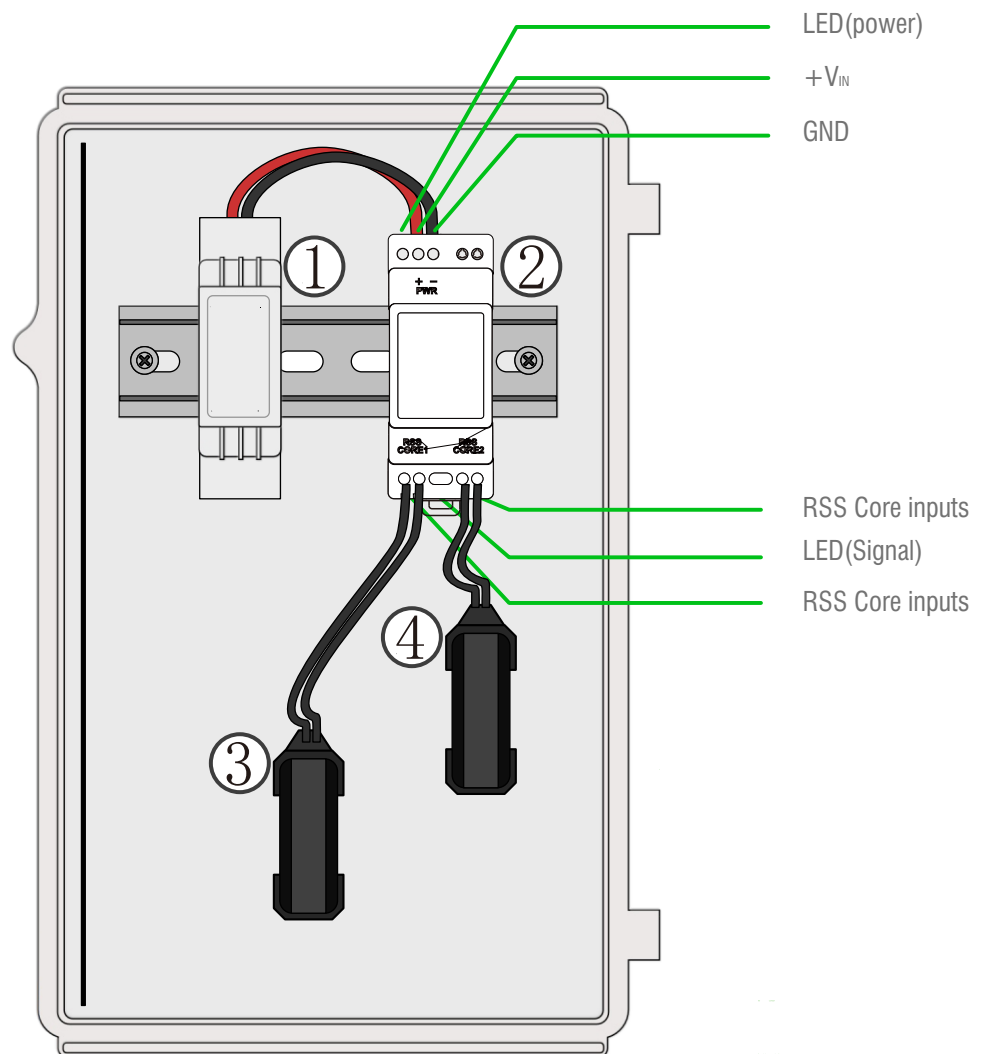
Max number of strings per RSS Core: 5

Max supported PV Modules per string: 30

Max current per RSS Core: 100A

Max cable length from inverter (+) to inverter (-): 1000ft (300m)

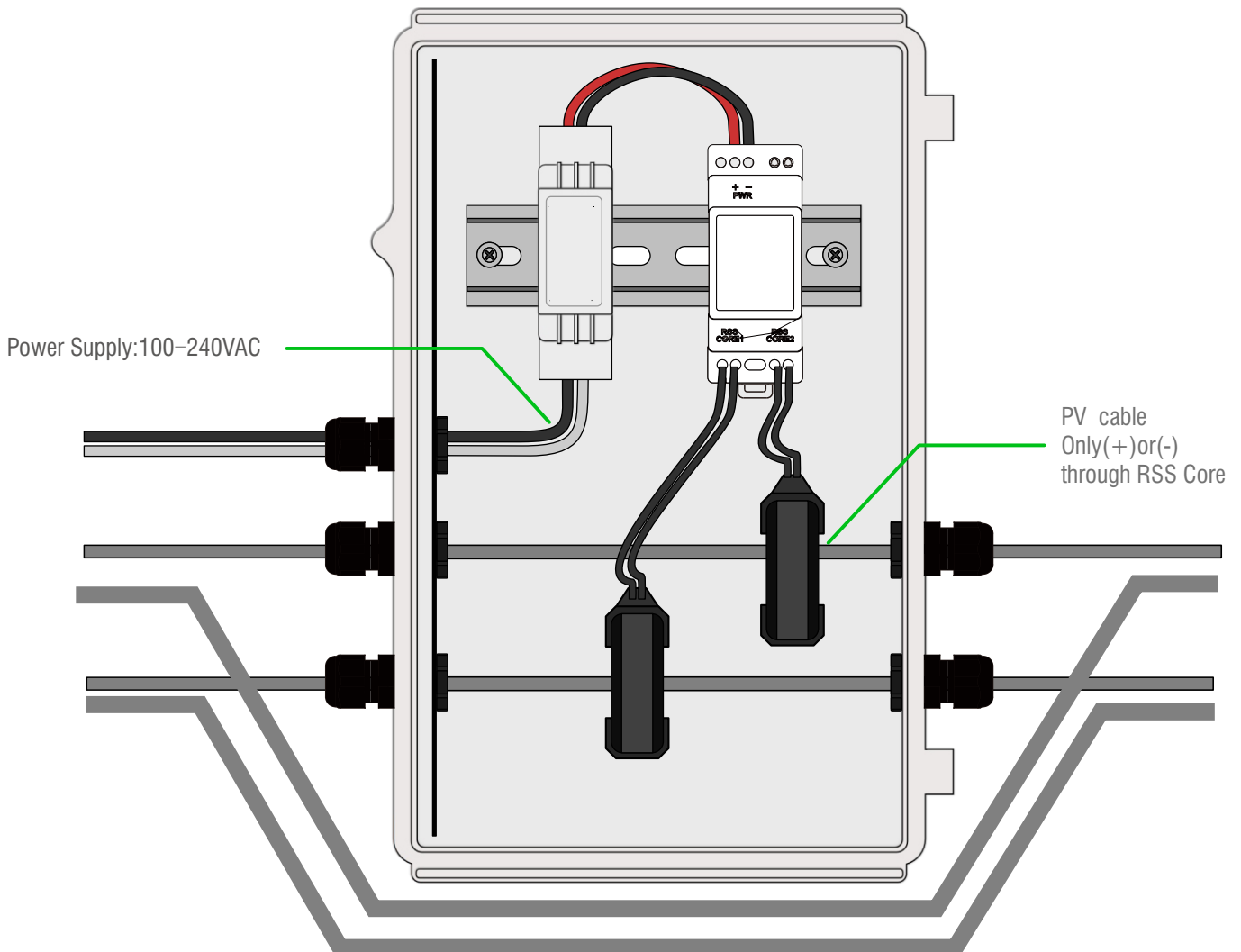
BFT-01 INSTALLATION DUAL RSS CORE



Note: Install Transmitter enclosure before powering on BFT-01

- Drill holes in enclosure for conduit (see drilling guide for placement)
- Mount BFT-01 and power supply on DIN rail
- Connect DC leads from power supply ① to transmitter ②
- Connect RSS Core ③ and ④ to transmitter

BFT-01 WIRING DUAL RSS CORE



Keep same polarity for all homeruns and RSS Cores throughout the installation

Note: Install Transmitter enclosure before powering on BFT-01

- Pass either positive or negative homerun through RSS Core.
- Connect wires to AC side of power supply

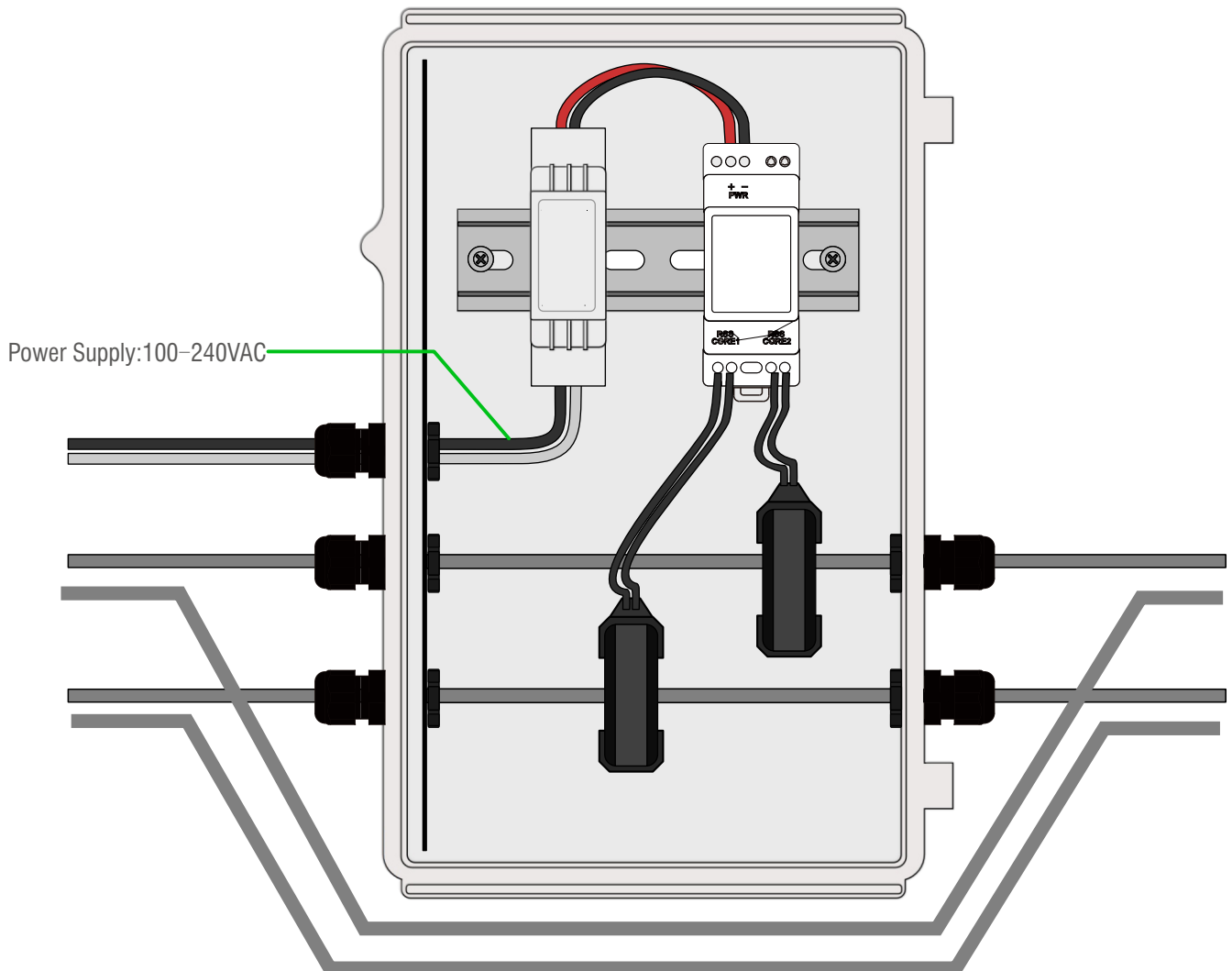
Max number of strings per RSS Core: 5

Max supported PV Modules per string: 30

Max current per RSS Core: 100A

Max cable length from inverter (+) to inverter (-): 1000ft (300m)

BFT-01 INSTALLATION-SINGLE/DUAL RSS CORE



- Note: Install Transmitter enclosure before powering on BFT-01
 - Connect AC and DC ground wires to DIN rail
 - Turn on AC power to Transmitter power supply to activate keep-alive signal and energize PV array



nonmetallic enclosure does not provide bonding between conduit connections. Use grounding type bushings and jumper wires.

TECHNICAL SPECIFICATION

	BFS-21	BFS-22		
Maximum Input Voltage	110V	110V*2		
Operating Voltage Range	16-110V	(16-110)V*2		
Maximum Input Current	20A			
Maximum Wattage	2200W	2200W*2		
Maximum System Voltage	1500V			
PV Casing	Polyamide 6(PA6)-UL94-V0			
PV Panel Cable Length(Customized)	Out+/-	1800mm		
	PV1+/-	180mm	PV2+/-	160mm
PV Connectors	Staubli MC4 (Standard)			
	Jinko connectors for option			
Operating Temperature Range	-40°C to +85°C			
Storage Temperature Range	-40°C to +85°C			
Installation Environment	Outdoor			
Relative Humidity	90%			
Pollution degree	2			
Overvoltage category	CAT II/2			
Maximum altitude above sea level for operation	3000m			
IP Class Protection	IP68			
Over Temperature Protection	100°C			
Communication	PLC			
BFT-01				
Input Voltage(DC)	12V(±1V)			
Max operating Current :	1A			
Average Supply Power	0.85W			
Installation method:	DIN-rail mounting			
Operating temperature range	-20°C to +50°C			
Storage temperature range	-40°C to +85°C			
RSS Core				
Maximum Current	Single Core:100A,Dual Core:200A			
Max String Voltage	1500VDC			
Maximum Number of Strings per Core	5			
Max Supported PV Modules Per String	30			
Max cable length from inverter (+) to inverter (-)	1000ft (300m)			

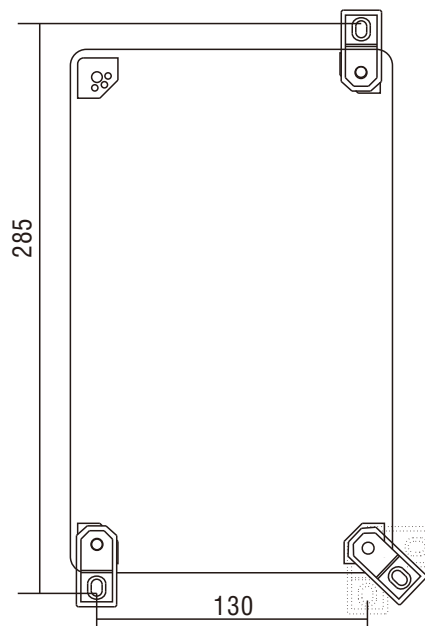
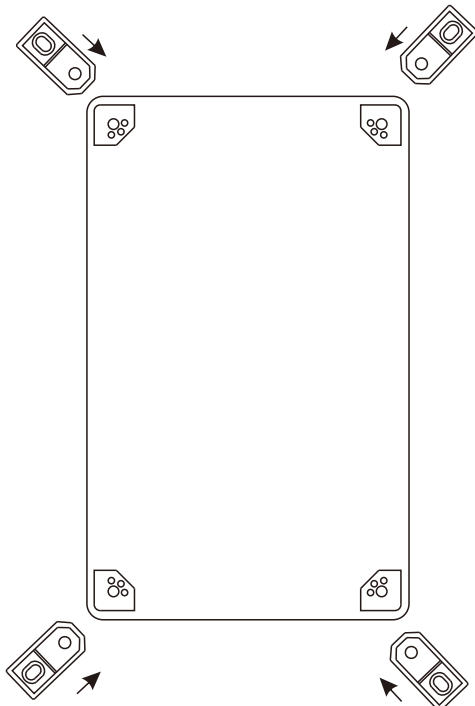
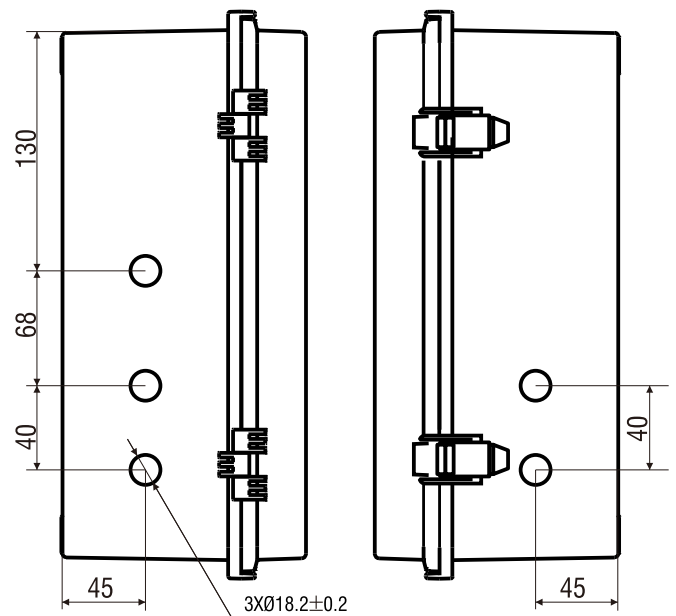
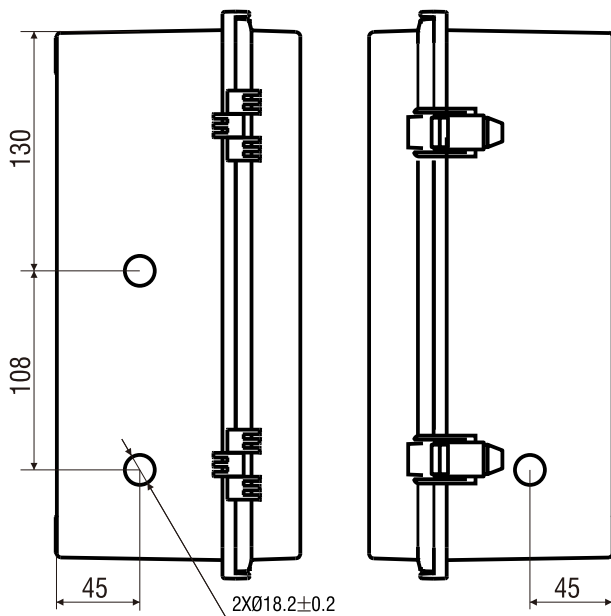
TROUBLESHOOTING

- String voltage should be $0.6V \times$ number of BFS units in the string when BFT-01 signal is not present. (e.g. Transmitter off, open circuit)
- If BFT-01 signal is active but Transmitter enclosure units are not producing:
 - Check string for open circuit
 - Check wiring between BFT-01 and RSS Core

CONDUIT DRILLING GUIDE

Single Core

Dual Core



Applicable waterproof joint: PG11

Rated cross sectional area, main circuit: 5-11mm